



Continental Device India Limited

An ISO/TS 16949, ISO 9001 and ISO 14001 Certified Company



ISO 14001



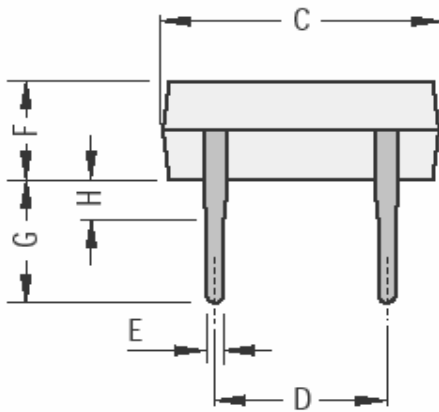
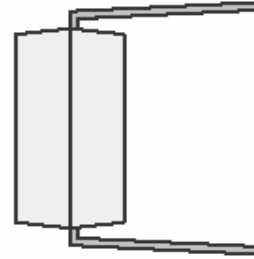
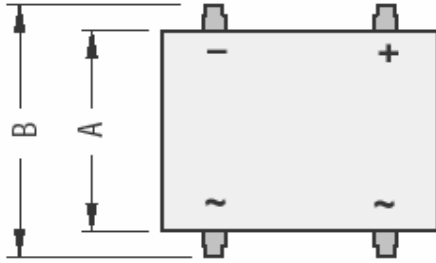
DNV

# DB-1 Leaded Plastic Package

## Package Outline and Packaging Information

DB1\_Pkg\_Drawing Rev281105

### DB-1 Leaded Plastic Package



DIM	Min	Max
A	6.20	6.50
B	7.60	8.90
C	8.00	8.30
D	5.00	5.20

DIM	Min	Max
E		0.50
F	2.60	3.20
G	3.90	4.20
H		1.50

All Dimensions are in mm

