



Continental Device India Limited

An ISO/TS 16949, ISO 9001 and ISO 14001 Certified Company



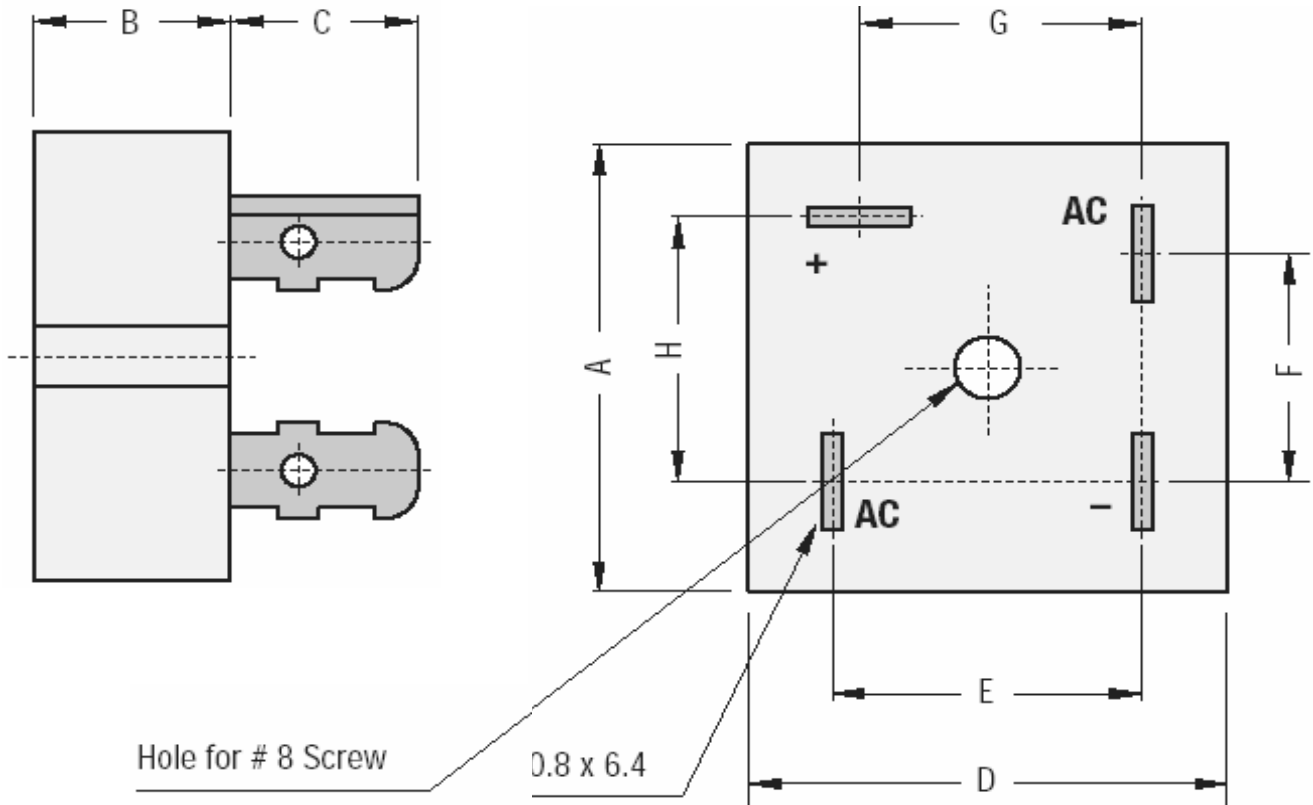
ISO 14001



KBPC (4 Leads) Square Leaded Package

Package Outline and Packaging Information

KBPC Square Leaded Plastic Package



DIM	Min	Max
A	28.0	30.0
B		11.50
C	10.80	12.20
D	28.0	30.0

All Dimensions are in mm

DIM	Min	Max
E	17.60	18.60
F	13.80	14.80
G	16.10	17.10
H	16.10	17.10

